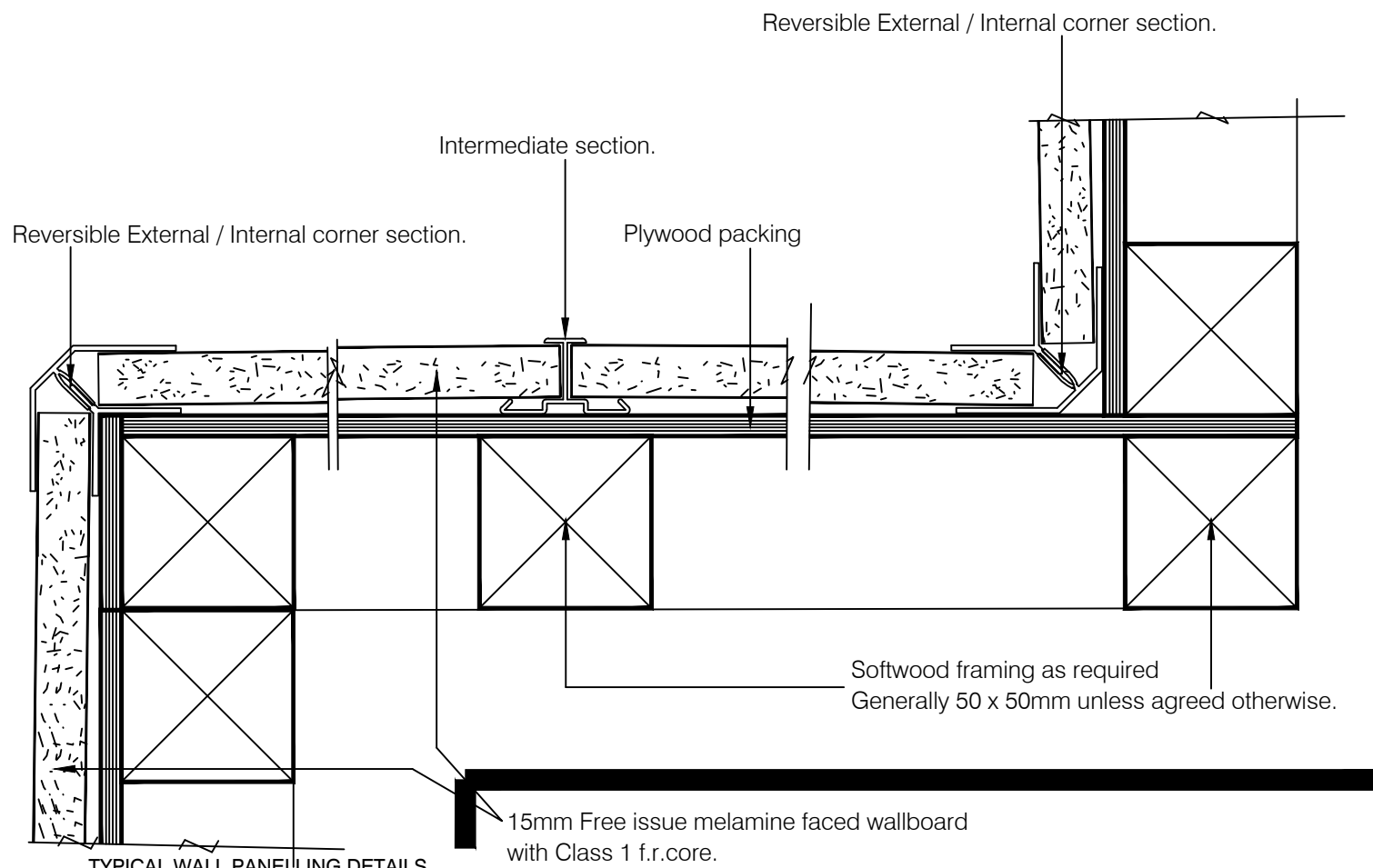
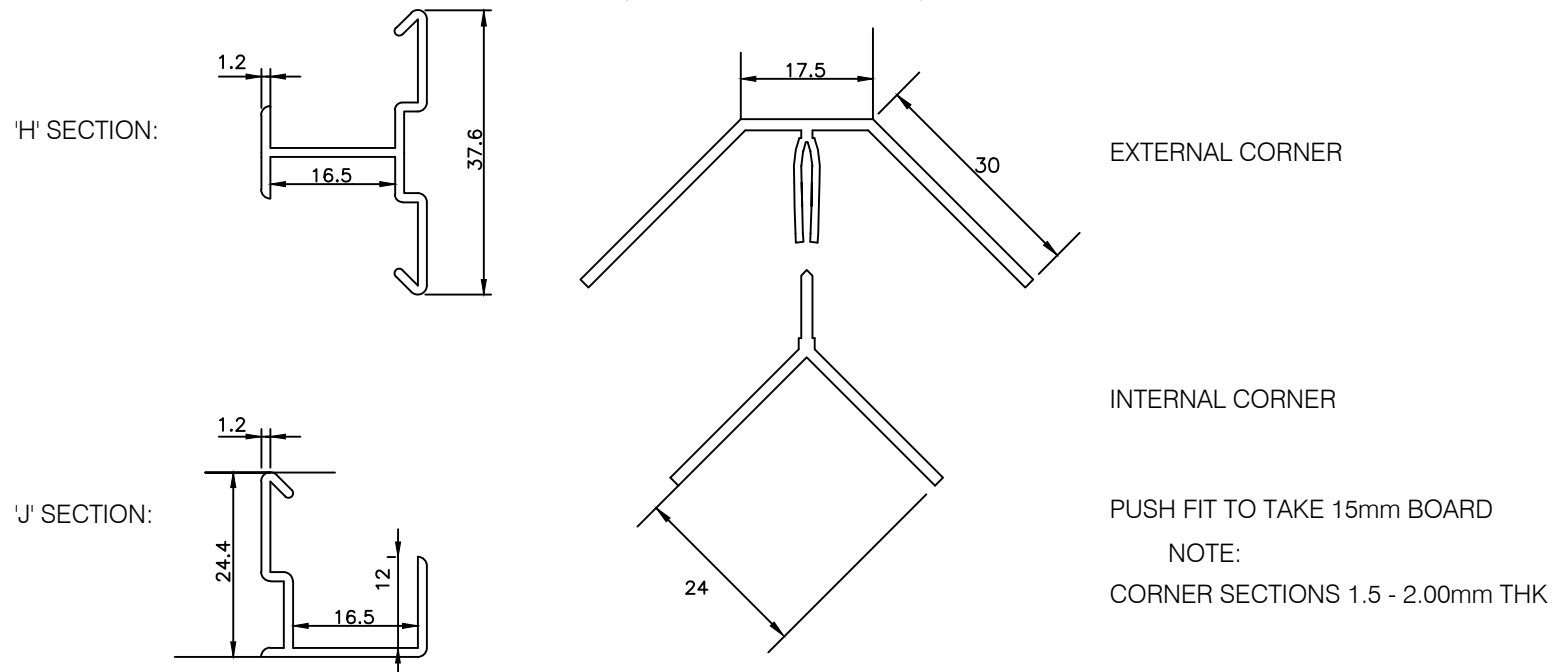


**PLASTIC COMPONENT DETAILS**

Scale 1:2

There are 4 plastic components in the range, coloured to match wallboards  
 They are colour co-ordinated to match the wallboards and are supplied free issue  
 to site in 3000mm lengths. These components are shown below  
 complete with dimensions and product reference numbers.



Scale 1:2

2800 x 992 x 15mm. Wallboards supplied by the nominated supplier in the following colours:

- i) Wood effect wallboards
- ii) Grey wallboards
- iii) White wallboards
- iv) Damasc
- v) Biscuit

Refer separate project drawings for wallboard colours to Customer and Counter Areas. Biscuit wallboards to BOH Areas.

Plastic fixing trims in 3m lengths supplied by the nominated supplier.

Plastic trims to be colour co-ordinated to match adjacent wallboards.

<b>REVISION:</b>	<b>C</b>	<b>DATE:</b>	16/03/17
<b>DESCRIPTION:</b>			
A - Finishes updated			
B - Additional wallboard finishes added			
C - Supplier names removed			
<b>APPROVED BY:</b> GG   MH   SN   KR			

<b>GREGGS CONTRACTORS GUIDE</b>	
Title:	Typical Wall Panelling Details
Drawing No	Section 3 Drawing 1.
Issue:	9
Date:	January 2017